

Phoenix Compact

Specifications for a Phoenix 40 & 60 electric model

Design Features

- 40 or 60 litres
- MP25 Controller
- Robust space saving design
- Single phase 'plug & play'
- Capacity of up to 12 x 1 litre bottles
- Phoenix fits on a standard bench
- Integral drip tray
- Grade 316 stainless steel chamber
- Anti door bolt over tight mechanism
- Complete versatility for almost any application

Optional Accessories

- † Loading Baskets
- † Waste Discard System
- † Fan Assisted High Speed Cooling
- † Condense Collector, which eliminates a drain requirement.
- † Air removal HEPA filter
- † Data Printers & Chart Recorders
- † Vacuum & Drying options
- † Anti Lime scale system



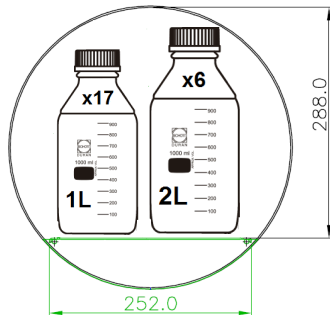
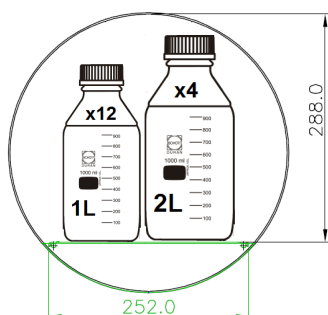
Capacities and dimensions

| Model | Phoenix 40 | Phoenix 60 |
|---------------------------------------|--------------------|---------------------|
| Autoclave Weight | 108kg | 115kg |
| Export Case Size | 720w x 860h x 860d | 720w x 860h x 1030d |
| Overall Dimensions | 550w x 790h x 710d | 550w x 790h x 860d |
| Chamber Dimensions | 350 Ø x 460d | 350 Ø x 600d |
| Water Consumption (typical per cycle) | 75ml | 75ml |
| 1L Media Bottles | 12 | 17 |
| 2L Media Bottles | 4 | 6 |
| Basket Dimensions | H227xW245xL430 | H227xW245xL578 |
| Waste Discard Dimensions | H227xW245xL430 | H227xW245xL578 |
| Trolley | H700xW570xL800 | H700xW570xL800 |

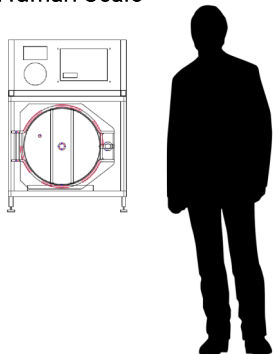


Phoenix 40

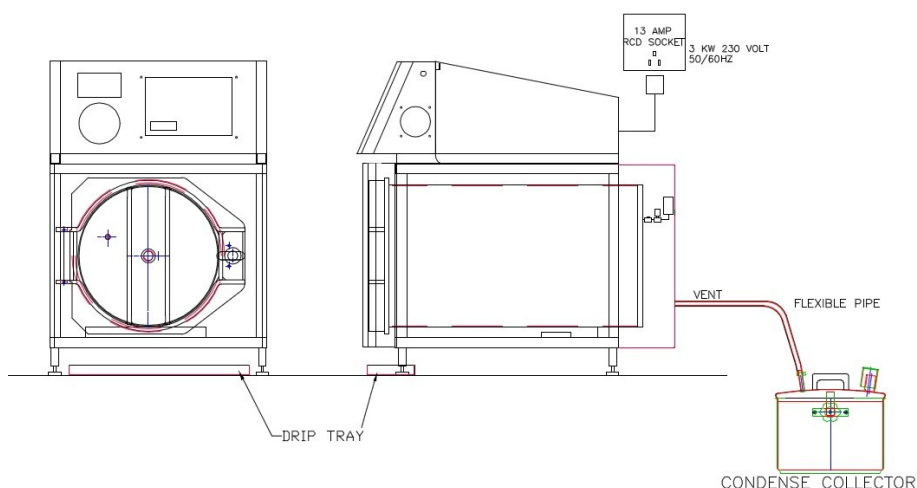
Phoenix 60



Human Scale



Typical Installation



| Safe Design Operating Limits | | |
|------------------------------|-------------|-------------|
| Model | Phoenix 40 | Phoenix 60 |
| Max working temperature | 138 °C | 138 °C |
| Min working temperature | 7 °C | 7 °C |
| Max ambient temperature | 28 °C | 28 °C |
| Min ambient temperature | 11 °C | 11 °C |
| Max hydraulic pressure | 4.14 Bar | 4.14 Bar |
| Max working pressure | 2.62 Bar | 2.62 Bar |
| Max working vacuum | Minus 1 Bar | Minus 1 Bar |

| Site Requirements | | |
|---|----------------|----------------|
| Electrical site requirement: 1RCD 13amp Socket Outlet | | |
| Model | Phoenix 40 | Phoenix 60 |
| Voltage | 230V | 230v |
| Phase Requirement | 1ph/N 50/60 Hz | 1ph/N 50/60 Hz |
| Power Consumption | 3kw | 3kw |
| Fuse Rating | 13 amp | 13 amp |

Option Requirements

- The auto fill option requires the purchase of the mounting trolley
- Drying option will require vacuum and auto water dump with a plumbed in drain service and the purchase of the mounting trolley.
- Drain requirement of 150°C, 35Ømm copper pipe at floor level.

General Requirements

- †Sodium Chloride must not exceed a level greater than 500 ppm.
- †Use regular mains water only. DO NOT USE distilled or RO water.

Complying Standards

- PED Cat 2 Module **B+D** Notified Body: British Engineering No. 0040
- Harmonised Standards applied: EMC BS EN 61326
- Community directives applied : Pressure Equipment Directive – PED 2014/68/EU (formerly PED 97/23/EC)
- Designed in accordance with PD5500 (formerly BS5500) & BS2646
- Chamber and Door constructed of stainless steel BS-EN 10028-7:316
- ISO 9001: 2008
- CE Marked

Information is subject to change to suit different options added. This information is correct as of 6th September 2017, E & OE